



**LION BRAND® LION SUEDE PRINTS**  
**Knitted Bolero**

Pattern: 50594



# LION BRAND® LION SUEDE PRINTS

## Knitted Bolero

Pattern: 50594

*Skill Level: Intermediate*

### SIZE

XS (S, M, L)

**Finished Chest** 30 (34, 38, 42) inches [76 (86.5, 96.5, 106.5) cm]

**Length** 21½ (22¼, 24, 25) inches [54.5 (56.5, 61, 63.5) cm]

**Note** Pattern is written for smallest size with changes for larger sizes in parentheses. When only one number is given, it applies to all sizes. To follow pattern more easily, circle all numbers pertaining to your size before beginning.

### MATERIALS

- LION BRAND Lion Suede Prints  
4 (4, 5, 6) balls #204 Mountain  
or color of your choice
- LION BRAND size 9 [5.5 mm] knitting needles OR SIZE TO OBTAIN GAUGE
- Size 7 [4.5 mm] 32" [80 cm] circular needle
- LION BRAND stitch markers
- One ¾" [20 mm] button
- LION BRAND large-eyed blunt needle

### GAUGE

12 sts + 19 rows = 4 inches [10 cm] in St st (k on RS, p on WS) on larger needles.

BE SURE TO CHECK YOUR GAUGE.

### STITCH EXPLANATION

**M1 (make 1 st)** An increase worked by lifting the horizontal thread lying between the needles and placing it onto the left needle. Work this new stitch through the back loop.

### BOLERO

#### BACK

With larger needles, cast on 45 (51, 57, 63) sts. Work in St st until piece measures 2½ (3, 3, 3½) inches [6.5 (7.5, 7.5, 9) cm] from beg, end with a WS row. Dec 1 st each end on next (RS) row, then every 6th row 2 (2, 3, 3) more times – 39 (45, 49, 55) sts. Work even until piece measures 7½ (8, 8½, 8¾) inches [19 (20.5, 21.5, 22) cm], ending with a WS row. Inc 1 st each end on next row, then every 4th row 2 (2, 3, 3) more times – 45 (51, 57, 63) sts. Work even until piece measures 11½ (12, 13, 13½) inches [29 (30.5, 33, 34.5) cm] from beg, ending with a WS row.

© 1998-2005 Lion Brand Yarn Company, all rights reserved  
34 West 15th Street, New York, New York 10011  
Call TOLL-FREE 1-800-258-YARN



**Shape Armholes**

Bind off 3 (3, 4, 4) sts at beg of next 2 rows – 39 (45, 49, 55) sts. Dec 1 st each end every other row 2 (3, 3, 4) times – 35 (39, 43, 47) sts. Work even until armholes measure 5 1/2 (6, 6 3/4) inches [14 (15, 16.5, 17) cm], ending with a WS row.

**Shape Neck**

**Next Row** K 13 (14, 16, 17) sts, bind off center 9 (11, 11, 13) sts, join a 2nd ball of yarn and knit to end of row. Working each side separately, dec 1 st at each neck edge every other row 4 (4, 5, 5) times – 9 (10, 11, 12) sts each side. Work even until armholes measure 7 1/2 (7 3/4, 8 1/2, 9) inches [19 (19.5, 21.5, 23) cm].

**Shape Shoulders**

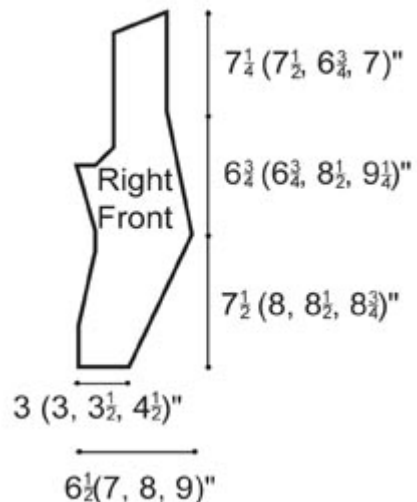
Bind off 3 (3, 3, 4) sts at each armhole edge once, then 3 (3, 4, 4) sts once. Bind off remaining 3 (4, 4, 4) sts.

**RIGHT FRONT**

With larger needles, cast on 8 (9, 11, 13) sts.

**Row 1 (WS)** Purl.

**Row 2** K 1, M1, knit to end.



© 1998-2005 Lion Brand Yarn Company, :  
34 West 15th Street, New York, New  
Call TOLL-FREE 1-800-258-Y

No pattern or other material may be reproduced – mechanically, electronically c  
without written permission of Lion Brand Y

Repeat these 2 rows 13 (14, 16, 17) more times, and AT SAME TIME when work measures 2½ (3, 3, 3½) inches [6.5 (7.5, 7.5, 9) cm] from beg, dec 1 st at end of next RS row then every 6th row 2 (2, 3, 3) more times for side shaping – 19 (21, 24, 27) sts. Work even until piece measures 7½ (8, 8½, 8¾) inches [19 (20.5, 21.5, 22) cm] from beg, end with a RS row.

**Next Row** Dec 1 st at neck edge every 4th row 8 (8, 10, 11) times, and AT SAME TIME inc 1 st at side edge every 4th row 3 (3, 4, 4) times – 14 (16, 18, 20) sts. Work even until piece measures same length as Back to armholes, ending with a RS row.

### Shape Armhole

Bind off 3 (3, 4, 4) sts at beg of next WS row – 11 (13, 14, 16) sts. Dec 1 st at end of next RS row 2 (3, 3, 4) times – 9 (10, 11, 12) sts. Work even until armhole measures same as Back to shoulder. Shape shoulder as for Back.

### LEFT FRONT

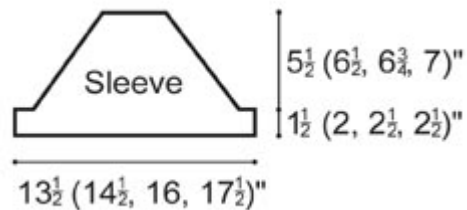
Work as for Right Front, reversing shaping.

### SLEEVES

With smaller needle, cast on 40 (44, 48, 52) sts.

**Row 1 (WS)** \*P 2, k 2; repeat from \*.

**Row 2 (RS)** \*P 2, k 2; repeat from \*.



Repeat Rows 1-2 for 3 more times.

**Row 9 (WS)** Change to larger needles and continue in St st, beg with a purl row. Work 0 (2, 4, 4) more rows. Bind off 3 (3, 4, 4) sts at beg of next 2 rows – 34 (38, 40, 44) sts. Dec 1 st each end every RS row 12 (14, 15, 16) times – 10 (10, 10, 12) sts. Bind off remaining sts.

### FINISHING

Sew shoulder seams. Sew in Sleeves. Sew side and Sleeve seams.

### EDGING

With circular needle and RS facing, beg at left shoulder seam, pick up and knit 75 (80, 85, 91) sts down Left Front edge, place marker, pick up and knit 59 (69, 79, 89) across lower edge, place marker, pick up and knit 75 (80, 85, 91) sts up Right Front edge, pick up and knit 19 (23, 27, 29) around neck, place marker – 228 (252, 276, 300) sts.

**Rnd 1** Work in K2, P2 Rib, inc 1 st before and after first 2 markers – 232 (256, 280, 304) sts.

© 1998-2005 Lion Brand Yarn Company, all rights reserved  
34 West 15th Street, New York, New York 10011  
Call TOLL-FREE 1-800-258-YARN

No pattern or other material may be reproduced – mechanically, electronically or by any other means, including photocopying – without written permission of Lion Brand Yarn Company

**Rnd 2** Work in K2, P2 Rib.

**Rnd 3** Repeat Rnd 1 – 236 (260, 284, 308) sts.

**Rnd 4** Work in K2, P2 Rib for 38 (42, 46, 50) sts, p2tog, yo twice, k2tog, continue in K2, P2 Rib to end of rnd.

**Rnd 5** Work in K2, P2 Rib for 39 (43, 47, 51) sts, (p 1, k 1) into the double yo from the previous rnd for buttonhole, continue in K2, P2 Rib, inc 1 st before and after first 2 markers – 240 (264, 288, 312) sts.

**Rnds 6 and 8** Repeat Rnd 2.

**Rnd 7** Repeat Rnd 1 – 244 (268, 292, 316) sts.

Bind off loosely. Weave in ends. Sew button opposite buttonhole

### ABBREVIATIONS

beg = begin(ning)	rnd(s) = round(s)
dec = decreas(e)(s)(ing)	RS = right side
inc = increas(e)(s)(ing)	St st = Stockinette stitch
k = knit	st(s) = stitch(es)
k2tog = knit 2 together	tog = together
p = purl	WS = wrong side
p2tog = purl 2 together	yo = yarn over

*\*Lion Suede (Article #210) A luxuriously soft yarn with a suede finish. Bulky Weight; 100% Polyester Solids are packaged in 3 oz/85g (122 yd/110 m) skeins, prints are packaged in 2 3/4 oz [78 g]/111 yd [101 m] balls*

Every effort has been made to have the knitting and crochet instructions accurate and complete. We cannot be responsible for variance of individual knitters and crocheters, human errors, or typographical mistakes.

© 1998-2005 Lion Brand Yarn Company, all rights reserved  
34 West 15th Street, New York, New York 10011  
Call TOLL-FREE 1-800-258-YARN

No pattern or other material may be reproduced – mechanically, electronically or by any other means, including photocopying – without written permission of Lion Brand Yarn Company