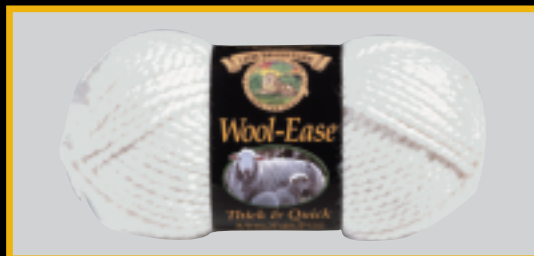
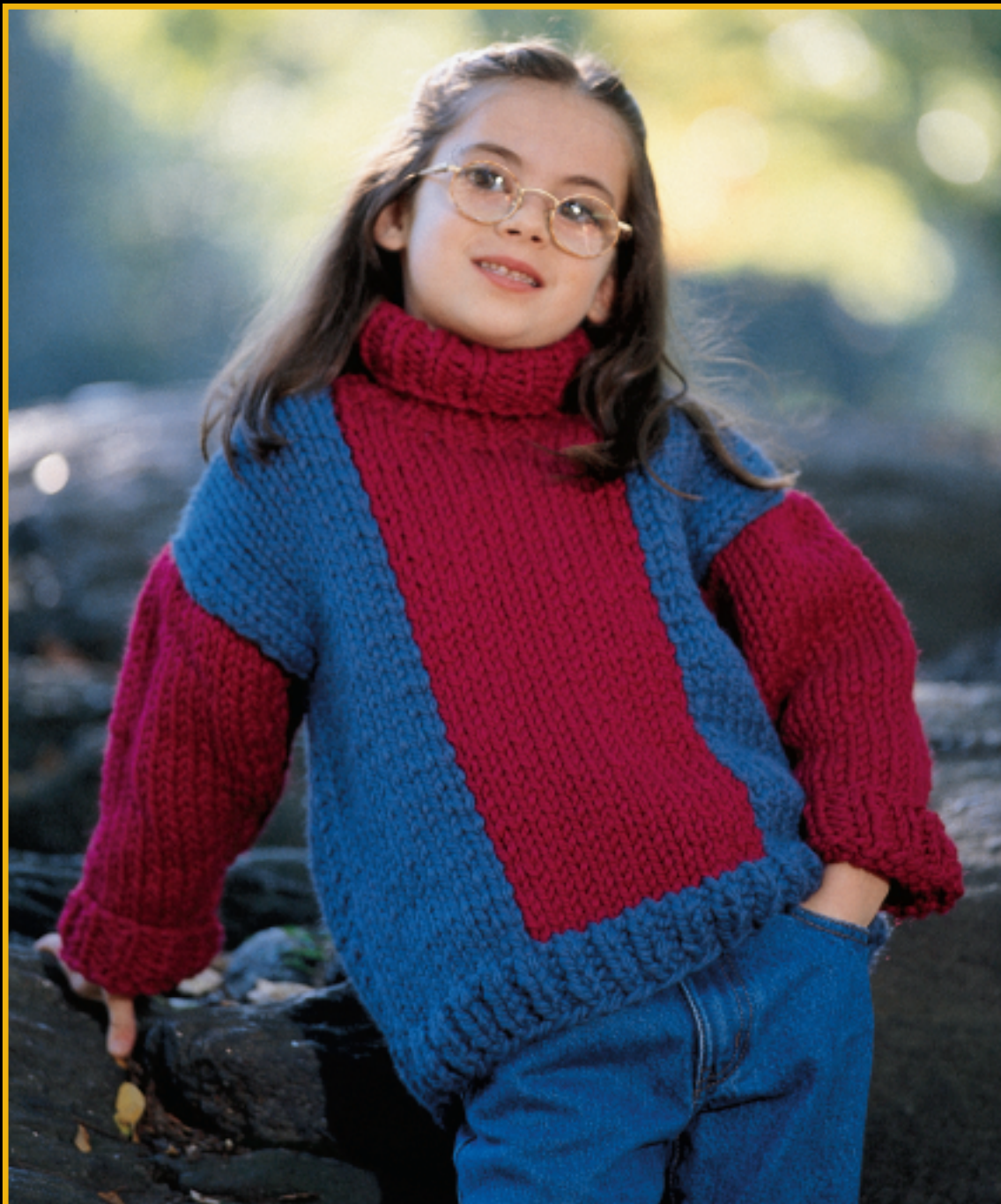


Item #1306



LION BRAND® WOOL-EASE® THICK & QUICK® CHILD'S SWEATER



LION BRAND® WOOL-EASE® THICK & QUICK® CHILD'S SWEATER

EASY

SIZE

Child's 2 (4, 6, 8)

Finished chest 26 (28, 30, 32)"

MATERIALS

- LION BRAND Wool-Ease Thick & Quick
2 (2, 2, 3) skeins of Denim #114 (A)
2 (2, 2, 2) skeins of Cranberry # 138 (B) or colors of your choice
- Size 13 (9 mm) knitting needles
- Size 13 (9 mm) – 16" circular needles OR SIZE TO OBTAIN GAUGE
- Stitch holders
- Large-eyed yarn needle

GAUGE

9 sts + 12 rows = 4" (10 cm) in Stockinette St (k on RS, p on WS). BE SURE TO CHECK YOUR GAUGE.

STITCH EXPLANATION

M1 (make 1) An increase worked by lifting the horizontal thread lying between the needles and placing it onto the left needle. Work this new stitch through the back loop.

NOTE

When changing colors, twist yarn on WS to prevent holes.

BACK

With A, cast on 31 (33, 35, 39) sts.

Row 1 (RS) *K 1, p 1; rep from *, end k 1.

Row 2 (WS) *P 1, k 1; rep from *, end p 1.

Rep last 2 rows twice more. Cont in St st until piece measures 14 (15, 17, 19)" from beg, end after WS row.

Shape Shoulders and Back neck Bind off 5 (6, 7, 7) sts at beg of row, k 6 (6, 6, 7), place center 9 (9, 9, 11) sts on a holder for Back Neck; join second ball of yarn and k to end. Working both sides AT THE SAME TIME; **Next row (WS)** Bind off 5 (6, 7, 7) sts, p to end. **Next row (RS)** Bind off 6 (6, 6, 7) sts, k other side. **Next row** Bind off rem 6 (6, 6, 7) sts.

FRONT

With A, cast on 31 (33, 35, 39) sts. Work rib as for back.

Next row With A, k 10 (11, 12, 13) sts; join B and k 11 (11, 11, 13) sts; join A and k 10 (11, 12, 13) sts. Work vertical stripes in St st as established. Work even until piece measures 12½ (13½, 15½, 17½)" from beg, end after WS row.

Shape Front neck and Shoulders: Left side (RS) K 13 (14, 15, 16), place remaining 18 (19, 20, 23) sts on a holder.

Next row (WS) Bind off 2 sts at neck edge, p to end. Repeat this row once more – 11 (12, 13, 14) sts remain. Work even until piece measures same as Back to shoulder, shape shoulder as for Back. Place sts from holder onto needle, leaving center 5 (5, 5, 7) sts on holder.

Shape right side as left, reversing shapings.

SLEEVES

With B cast on 15 (17, 19, 19) sts. Work rib as for back. Cont in St st for 2 rows. **Next row (RS)** K 1, M1, k to last st, M1, k1. Repeat, increasing 1 st at each edge every 6 rows 5 (5, 5, 6) times more – 27 (29, 31, 33) sts. Work even until piece measures 10½ (12, 13, 14)" from beg. Bind off.

NECK

Sew shoulder seams. With B, circular needles, and RS facing, work across 9 (9, 9, 11) sts from Back Neck holder, pick up 6 sts from side neck, work across 5 (5, 5, 7) sts from Front Neck holder, pick up 6 sts from side neck – 26 (26, 26, 30) sts. Join round and work around in k1, p1 Rib until ribbing measures 6". Bind off loosely in rib.

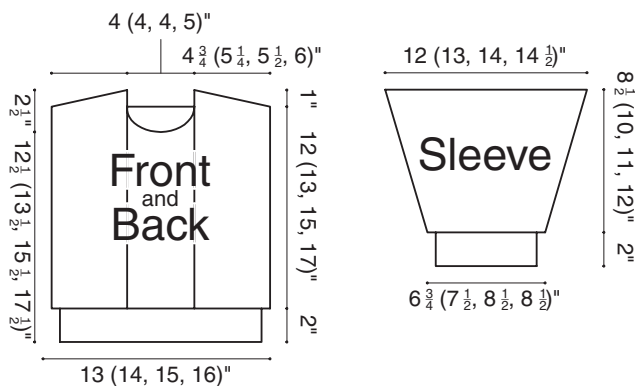
FINISHING

Place markers on front and back 6 (6¼, 6¾, 7)" down from shoulder seams. Sew sleeves between markers. Sew sleeve and side seams. Weave in loose ends.

ABBREVIATIONS

beg = begin(ning)
cont = continu(e)(ing)
k = knit
p = purl
rem = remain(s)(ing)
rep = repeat(s)(ing)
RS = right side
st(s) = stitch(es)
St st = Stockinette stitch
WS = wrong side

Wool-Ease Thick & Quick (Article #640) comes in 6 oz/
108 yd balls



Every effort has been made to have instructions accurate and complete. We cannot be responsible for variance of individual knitters and crocheters, human errors, or typographical mistakes.



"FAMOUS FOR QUALITY SINCE 1878"

LION BRAND® YARNS

34 W. 15th St., NY, NY 10011 1-212-243-8995 www.lionbrand.com