



**Free Crochet Pattern**  
**Lion Brand® Homespun®**  
**The Poet Dog Sweater**  
Pattern Number: L32350



*This is part of our 12 Dogs of Christmas series. To see all projects, [click here](#).*

# Free Crochet Pattern from Lion Brand Yarn

## Lion Brand® Homespun®

### The Poet Dog Sweater

Pattern Number: L32350

**SKILL LEVEL:** Easy (Level 2)

**SIZE:** Small, M/L, 1X/2X

S (M/L, 1X/2X)

**Finished Neck Circumference** 11 (13 1/2, 16) in. (28 (34.5, 40.5) cm)

**Finished Chest** 18 1/2 (22 1/2, 26) in. (47 (57, 66) cm)

**Finished Length** 14 (18, 22) in. (35.5 (45.5, 56) cm)

**Note:** Pattern is written for smallest size with changes for larger sizes in parentheses. When only one number is given, it applies to all sizes. To follow pattern more easily, circle all numbers pertaining to your size before beginning.

**CORRECTIONS:** None as of Jul 4, 2016. To check for later updates, click [here](#).

#### MATERIALS

- 790-312 [Lion Brand Homespun Yarn: Edwardian](#)  
2 2, 3 Balls
- [Lion Brand Crochet Hook - Size K-10.5 \(6.5 mm\)](#)
- [Lion Brand Large-Eye Blunt Needles \(Set of 6\)](#)

*\*Homespun® (Article #790). 98% Acrylic, 2% Polyester; package size: 6.00oz/170.00 gr. (185yds/169m) pull skeins*



#### GAUGE:

10 sc + 10 rows = about 4 in. (10 cm).

When you match the gauge in a pattern, your project will be the size specified in the pattern and the materials specified in the pattern will be sufficient. The needle or hook size called for in the pattern is based on what the designer used, but it is not unusual for gauge to vary from person to person. If it takes you fewer stitches and rows to make your swatch, try using a smaller size hook or needles; if more stitches and rows, try a larger size hook or needles.

[Making a Gauge Swatch](#)

#### STITCH EXPLANATION:

**BPDC (back post double crochet)** Yarn over, insert hook from back to front then to back, going around post of indicated st, draw up a loop, (yarn over and draw through 2 loops on hook) twice. Skip st in front of the BPDC.

**FPDC (front post double crochet)** Yarn over, insert hook from front to back then to front, going around post of indicated st, draw up a loop, (yarn over and draw through 2 loops on hook) twice. Skip st behind the FPDC.

**sc2tog (sc 2 sts together)** (Insert hook in next st and draw up a loop) twice, yarn over and draw through all 3 loops on hook – 1 st decreased.

#### NOTES:

1. Sweater is made in 2 pieces: Back and Underpiece.
2. Pieces are worked separately and then sewn together, leaving openings for legs.

## BACK

Ch 33 (41, 49).

**Row 1 (RS):** Sc in 2nd ch from hook and in each ch across – 32 (40, 48) sc.

**Row 2:** Ch 1, turn, sc in each st across.

Rep Row 2 until piece measures about 9 (12 1/2, 15 1/2) in. (23 (32, 39.5) cm) from beg.

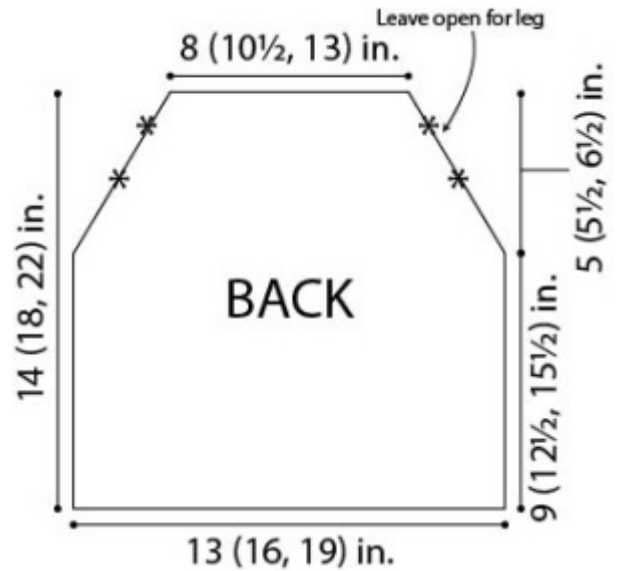
### Shape Top

**Decrease Row:** Ch 1, turn, sc2tog, sc in each st to last 3 sts, sc2tog, sc in last st – 30 (38, 46) sts.

**Next Row:** Ch 1, turn, sc in each st across.

Rep last 2 rows until – 20 (26, 32) sts rem.

Fasten off.



## UNDERPIECE

Ch 15 (17, 19).

**Row 1 (RS):** Sc in 2nd ch from hook and in each ch across – 14 (16, 18) sc.

**Row 2:** Ch 1, turn, sc in each st across.

Rep Row 2 until piece measures about 4 (7, 10) in. (10 (18, 25.5) cm) from beg.

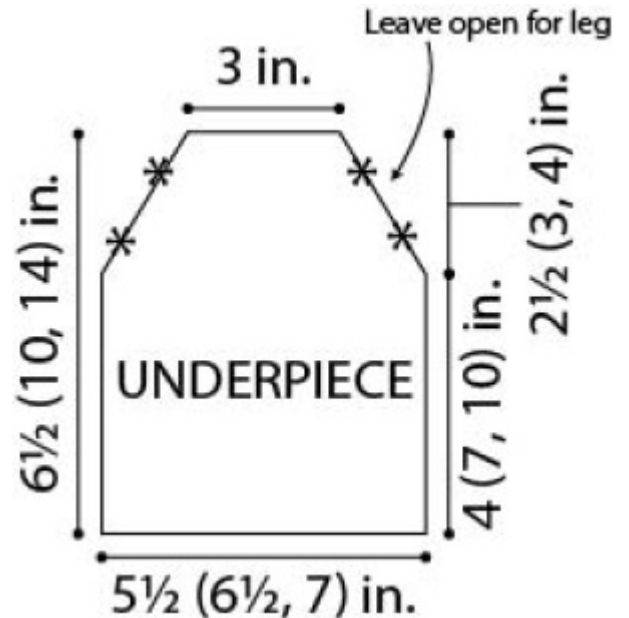
### Shape Top

**Decrease Row:** Ch 1, turn, sc2tog, sc in each st to last 3 sts, sc2tog, sc in last st – 12 (14, 16) sts.

**Next Row:** Ch 1, turn, sc in each st across.

Rep last 2 rows until – 8 sts rem.

Fasten off.



## FINISHING

Beg at neck edge, sew sides of Underpiece to Back for 1 1/2 (2, 2 1/2) in. (4 (5, 6.5) cm); leave next 1 1/2 (2, 2 1/2) in. (4 (5, 6.5) cm) open for legs, then sew remainder of Underpiece to Back. Note that the lower portion of the Back remains unsewn.

### Neck Trim

**Rnd 1 (RS):** From RS, join yarn with sc in any st along neck edge, work 31 (39, 45) more sc evenly spaced around neck edge; join with sl st in first sc – 32 (40, 46) sc.

**Rnd 2:** Ch 2 (does not count as a st), FPDC around same sc as joining, BPDC around next st, \*FPDC around next st, BPDC around next st; rep from \* around; join with sl st in top of beg ch.

**Rnds 3-5:** Ch 2, \*FPDC around next FPDC, BPDC around next BPDC; rep from \* around; join with sl st in top of beg ch. Fasten off.

### Leg Opening Trim

**Rnd 1 (RS):** From RS, join yarn with sc anywhere along edge of leg opening, work 15 (19, 25) more sc evenly spaced around edge of leg opening; join with sl st in first sc – 16 (20, 26) sc.

**Rnd 2:** Rep Rnd 2 of Neck Trim.

Fasten off.

Rep on opposite leg opening.

### Lower Edge Trim

From RS, join yarn with sc anywhere along lower edge of Sweater, work sc evenly spaced around lower edge, working 2 sc in each corner; join with sl st in first sc.

Fasten off.

Weave in ends.

## ABBREVIATIONS / REFERENCES

Click for explanation and illustration

<u>beg = begin(s)(ning)</u>	<u>ch(s) = chain(s)</u>
<u>rep = repeat(s)(ing)</u>	<u>rnd(s) = round(s)</u>
<u>RS = right side</u>	<u>sc = single crochet</u>
<u>sl st = slip stitch</u>	<u>st(s) = stitch(es)</u>

Learn to crochet instructions: <http://www.lionbrand.com/learn/how-to-crochet>

---

Every effort has been made to have the knitting and crochet instructions accurate and complete. We cannot be responsible for variance of individual knitters and crocheters, human errors, or typographical mistakes.

We want your project to be a success! If you need help with this or any other Lion Brand pattern, e-mail support is available 7 days per week. Just click [here](#) to explain your problem and someone will help you!

**For thousands of free patterns, visit our website [www.LionBrand.com](http://www.LionBrand.com)**

**To order visit our website [www.lionbrand.com](http://www.lionbrand.com) or call: (800) 258-YARN (9276) any time!**

**When in New York City, visit the Lion Brand Yarn Studio where we have the largest selection of our yarns anywhere and over 100 classes and events monthly.  
34 West 15th Street, NY, NY 10011**

Copyright ©1998-2016 Lion Brand Yarn Company, all rights reserved. No pattern or other material may be reproduced -- mechanically, electronically, or by any other means, including photocopying -- without written permission of Lion Brand Yarn Company.