



Free Crochet Pattern
Lion Brand® Vanna's Glamour® - Bonbons
The Barking Groom Tuxedo And Top Hat
Pattern Number: L50079



Designed by Nicky Epstein.

Free Crochet Pattern from Lion Brand Yarn

Lion Brand® Vanna's Glamour® - Bonbons® The Barking Groom Tuxedo And Top Hat

Pattern Number: L50079

SKILL LEVEL: Easy + (Level 3)

SIZE: Varies

Small/Medium (Large)

Finished Chest About 18 (22) in. (45.5 (56) cm)

Finished Length About 15 1/2 (20) in. (39.5 (51) cm)

Finished Neck About 13 1/2 (16 1/2) in. (34.5 (42) cm)

Note: Pattern is written for smaller size with changes for larger size in parentheses. When only one number is given, it applies to both sizes. To follow pattern more easily, circle all numbers pertaining to your size before beginning.

CORRECTIONS: None as of Apr 11, 2015. To check for later updates, click [here](#).

MATERIALS

- 861-153 [Lion Brand Vanna's Glamour Yarn: Onyx](#)
1 1 Ball (A)
**Vanna's Glamour (Article #861). 96% Acrylic, 4% Metallic Polyester; package size: 1.75oz/49.61 gr. (202yds/185m) pull skeins*
- 861-100 [Lion Brand Vanna's Glamour Yarn: Diamond](#)
1 1 Ball (B)
**Bonbons (Article #601).*
- 861-150 [Lion Brand Vanna's Glamour Yarn: Platinum](#)
1 1 Ball (C)
Cotton: 100% Cotton. **Care:** Machine Wash Cool, Gentle Cycle, Do Not Bleach, Dry Flat, Low Iron, Dry Clean Any Solvent Except Trichloroethylene.
Acrylic: 100% Acrylic. **Care:** Machine Wash and Dry, Do Not Bleach, Do Not Iron, Tumble Dry Normal, Dry Clean and Solvent Except Trichloroethylene.
- 601-660 [Lion Brand Bonbons Yarn: Celebrate](#)
1 1 Ball (D)
Metallic: 96% Acrylic, 4% Metallic Polyester. **Care:** Machine Wash Cool, Lay Flat to Dry, Do Not Bleach, Do Not Iron, Dry Clean Any Solvent Except Trichloroethylene.; package size: **Cotton:** Weight Category 2: Sport Weight
8 x .35oz/10g
8 x 28yd/26m
- [Lion Brand Crochet Hook - Size G-6 \(4 mm\)](#)
8 x .35oz/10g
8 x 28yd/26m
- [Lion Brand Crochet Hook - Size H-8 \(5 mm\)](#)
Acrylic: Weight Category 3: DK Weight
8 x .35oz/10g
8 x 28yd/26m
- [Lion Brand Large-Eye Blunt Needles \(Set of 6\)](#)
Metallic: Weight Category 2: Sport Weight
8 x .35oz/10g
8 x 38.3 yd/35m
- Additional Materials
5 grey pearl beads, about 3/8 in. (10 mm) diameter



3 1/2 x 7 in. (9 x 18 cm) piece of cardboard
12 in. (30.5 cm) of black elastic cord
Sewing needle and thread
Masking tape

GAUGE:

16 sc + 17 1/2 rows = about 4 in. (10 cm), with larger hook.

When you match the gauge in a pattern, your project will be the size specified in the pattern and the materials specified in the pattern will be sufficient. The needle or hook size called for in the pattern is based on what the designer used, but it is not unusual for gauge to vary from person to person. If it takes you fewer stitches and rows to make your swatch, try using a smaller size hook or needles; if more stitches and rows, try a larger size hook or needles.

Making a Gauge Swatch

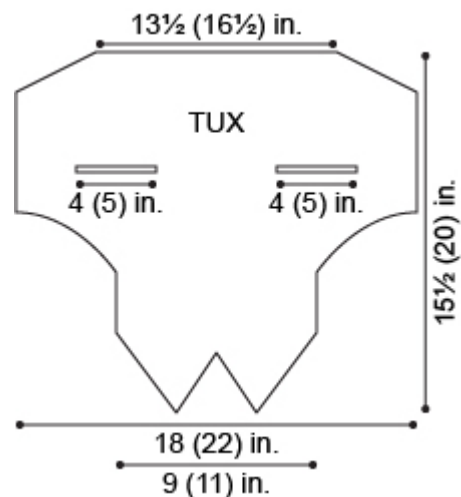
STITCH EXPLANATION:

rev sc (reverse single crochet) Single crochet worked from left to right (right to left, if left-handed). Insert hook into next stitch to the right (left), under loop on hook, and draw up a loop. Yarn over, draw through all loops on hook.

sc2tog (sc 2 sts together) (Insert hook in next st and draw up a loop) twice, yarn over and draw through all 3 loops on hook – 1 st decreased.

NOTES:

1. Tuxedo is worked in one piece beginning at tails.
2. Sleeves are worked directly onto the Tuxedo.
3. Bow Tie, Boutonniere, and other details are worked separately, then sewn to Tuxedo.
4. Top Hat is worked in one piece and stiffened with cardboard.



Yarn colors for D yarn

Red (E)
Sparkling Peach (F)

TUXEDO

First Tail

With larger hook and A, ch 3.

Row 1 (RS): Sc in 2nd ch from hook and in next ch.

Row 2: Ch 1, turn, work 2 sc in first st, sc in last st – you will have 3 sc.

Rows 3-13 (17): Ch 1, turn, work 2 sc in first st, sc in each st across – you will have 14 (18) sc at the end of Row 13 (17).

Fasten off.

Second Tail

Make same as first tail, but do not fasten off.

Join Tails

Next Row (WS): Ch 1, turn, sc in each st across second tail; from WS, sc in each st across first tail – 28 (36) sts.

Increase Row (RS): Ch 1, turn, 2 sc in first sc, sc in each st to last sc, 2 sc in last sc – 30 (38) sts.

Rep Increase Row 3 more times – 36 (44) sts.

Next 6 (12) Rows: Ch 1, turn, sc in each st across.

Rep Increase Row 18 (22) times – 72 (88) sts.

Next 4 (6) Rows: Ch 1, turn, sc in each st across.

Shape Leg Openings

Next Row (WS): Ch 1, turn, sc in first 6 (7) sts, ch 16 (20), skip next 16 (20) sts for leg opening, sc in next 28 (34) sts, ch 16 (20), skip next 16 (20) sts for leg opening, sc to end of row – 40 (48) sc and 2 ch-sps.

Shirt Front

Notes: 1. Before beginning the shirt front, wind B into 2 separate balls. Use a separate ball of yarn for each section of color, do not carry color across WS of piece.

2. To change yarn color, work last st of old color to last yarn over. Yarn over with new color and draw through all loops to complete st.

Row 1 (RS): With B, ch 1, turn, with B, sc in first st; with A, sc in each st and ch to last st; with B, sc in last st.

Row 2: With B, ch 1, turn, sc in first 2 sts; with A, sc in each st to last 2 sts; with B, sc in last 2 sts.

Row 3: With B, ch 1, turn, sc in first 3 sts; with A, sc in each st to last 3 sts; with B, sc in last 3 sts.

Row 4: With B, ch 1, turn, sc in first 4 sts; with A, sc in each st to last 4 sts; with B, sc in last 4 sts.

Next 5 (7) Rows: Continue as established working 1 more st with B at the beg and end of each row.

When these 5 (7) rows have been completed, you will have 9 (11) sts worked with B at each end of last row.

Next 5 (7) rows: With B, ch 1, turn, sc in first 9 (11) sts; with A, sc in each st to last 9 (11) sts; with B, sc in each of last 9 (11) sts.

Shape Collar

Cut A, continue with B only.

Row 1 (RS): Ch 1, turn, sc in each st across.

Row 2: Ch 1, turn, *sc in each of next 6 sts, sc2tog; rep from * across – 63 (77) sts.

Row 3: Rep Row 1.

Row 4: Ch 1, turn, *sc in next 5 sts, sc2tog; rep from * across – 54 (66) sts.

Rows 5 and 6: Rep Row 1.

Row 7: Ch 1, do not turn, work rev sc in each st across.

Fasten off.

Sleeves

From RS with larger hook, join A with a sl st anywhere along edge of one leg opening.

Rnd 1 (RS): Ch 1, work sc spaced evenly around leg opening; join with sl st in first sc.

Rnds 2-16: Ch 1, sc in each st around; join with sl st in first sc.

Fasten off.

Cuff

From RS with larger hook, join B with a sl st in same st as joining of Rnd 16.

Rnds 17 and 18: Ch 1, sc in each st around; join with sl st in first sc.

Rnd 19: Ch 1, work in rev sc around; join with sl st in beg ch-1.

Fasten off.

BUTTON TAB

With smaller hook and A, ch 10.

Row 1 (RS): Sc in 2nd ch from hook and in each ch across – 9 sc.

Rows 2 and 3: Ch 1, turn, sc in each st across.

Edging

Ch 1, do not turn, work sc evenly spaced around outside edge of Tab join with sl st in first sc.

Fasten off.

Place Tab on Tuxedo back, just above where tails join. With sewing needle and thread, sew a bead to each end of Tab, sewing through both thicknesses to sew Tab to Tuxedo.

BOW TIE

With larger hook and C, ch 20.

Row 1: Hdc in 2nd ch from hook (beg 2 ch does not count as hdc) and in each ch across.

Rows 2-10: Ch 1, turn, working in back loops only, hdc in each st across.

Row 11: Ch 1, turn, sc in each st across.

Fasten off.

Tie

Ch 8, sl st in 2nd ch from hook and in each ch across.

Fasten off.

Wrap Tie around center of Bow Tie.

BOUTONNIERE

Large Petals

With smaller hook and E, ch 16.

Row 1 (RS): Sc in 2nd ch from hook and in each ch across – 15 sc.

Rows 2-8: Ch 1, turn, working in back loops only, sc in each st across.

Fasten off.

Tie a strand of E tightly around center of piece to make 2 petals.

Small Petals

With smaller hook and F, ch 14.

Row 1 (RS): Sc in 2nd ch from hook and in each ch across – 13 sc.

Rows 2-8: Ch 1, working in back loops only, sc in each st across.

Fasten off.

Tie a length of F tightly around center of piece to make 2 petals.

Place small petals on top of large petals. With sewing needle and thread, sew a bead through the center of the stacked petals to attach the bead and sew the petals tog.

TOP HAT

With smaller hook and A, beg at top of hat, ch 2.

Rnd 1: Work 8 sc in 2nd ch from hook; join with sl st in first sc.

Rnd 2: Ch 1, work 2 sc in each st around; join with sl st in first sc – 16 sc.

Rnd 3: Ch 1, *sc in next st, 2 sc in next st; rep from * around; join with sl st in first sc – 24 sc.

Rnd 4: Ch 1, sc in each st around; join with sl st in first sc.

Rep Rnd 4 until piece measures 2 1/2 in. (6.5 cm) across.

Next Rnd: Ch 1, working in back loops only, sc in each st around; join with sl st in first sc.

Sides

Rnds 1-4: Ch 1, sc2tog, sc in each st around; join with sl st in first sc – you will have 20 sc at the end of Rnd 4.

Rnd 5: Ch 1, sc in each st around; join with sl st in first sc.

Rep Rnd 5 until sides measure 3 in. (7.5 cm) from top of Hat.

Brim

Rnd 1: Ch 1, *sc in next st, 2 sc in next st; rep from * around; join with sl st in first sc – 30 sc.

Rnd 2: Ch 1, *sc in next 2 sts, 2 sc in next st; rep from * around; join with sl st in first sc – 40 sc.

Rnd 3: Ch 1, *sc in next 3 sts, 2 sc in next st; rep from * around; join with sl st in first sc – 50 sc.

Rnd 4: Ch 1, *sc in next 4 sts, 2 sc in next st; rep from * around; join with sl st in first sc – 60 sc.
Fasten off.

Hat Band

With smaller hook and B, ch 20.

Row 1: Sl st in 2nd ch from hook and in each ch across.

Fasten off.

Bow

With smaller hook and C, ch 5.

Row 1 (RS): (3 dc, ch 3, sl st) in 4th ch from hook, (sl st, ch 3, 3 dc, ch 3, sl st) in next ch.

Fasten off.

Tie a strand of B around center of Bow, then tie Bow to Hat Band.

Wrap Hat Band around Hat and, with sewing needle and thread, sew to Hat.

FINISHING

Tuxedo

Sew edges tog at center front of Tuxedo.

With larger hook and B, work 2 rows of surface sc, one on each side of front seam of shirt front, as follows.

1. Make a slip knot, but do not place it on hook.

2. Insert hook from RS to WS through crochet fabric at lower end of front seam.

3. Place the slip knot on hook and draw loop to RS (keep beg tail and working yarn on WS).

4. *Insert hook from RS to WS through fabric a short distance above last insertion location, yarn over, draw loop through fabric, yarn over and draw through both loops on hook (surface sc made); rep from * inserting hook, as desired, to create surface pattern.

5. Fasten off.

Note: To end a section of surface sc, remove hook from loop and take hook to WS. Insert hook from WS to RS, place loop on hook, draw loop through to WS. Cut yarn. Draw yarn tail through final loop and pull tight.

Edging

From RS, with larger hook, join A with a sl st anywhere along outside edge of Tuxedo.

Rnd 1: Ch 1, work sc evenly spaced around outside edge of Tuxedo; join with sl st in beg sc.

Fasten off.

Cummerbund

From RS with smaller hook, join C with a sl st at beg of lower front curve (on underbody of Tuxedo).

Row 1 (RS): Ch 1, work 36 (44) sc evenly spaced across lower front curve, sl st in side edge of Tuxedo.

Rows 2-4: Ch 1, turn, sc in next 6 (8) sts, hdc in next 8 (10) sts, dc in next 8 sts, hdc in next 8 (10) sts, sc in next 6 (8) sts, sl st in side edge of Tuxedo.

Row 5: Ch 1, turn, sc in each st across, sl st in side edge of Tuxedo.

Fasten off.

Sew Boutonniere to Tuxedo near one edge of shirt front. Sew Bow Tie to center front of neck. Sew 2 beads at center front of Tuxedo, below shirt front, for buttons.

Roll cardboard into a cylinder and slip into Hat to determine how much the ends of the cylinder should overlap. Remove cylinder from Hat and tape overlap together. With tip of sharp scissors, punch a hole in each side of lower edge of cardboard for elastic. Tie one end of elastic to one of the punched holes. Place the cylinder on your dog to determine how long to cut elastic – this should be a comfortable length to go under the dog's chin.

When you've determined the correct length, tie other end of elastic to other punched hole and slip the cylinder back into the Hat.

Weave in ends.

ABBREVIATIONS / REFERENCES	
Click for explanation and illustration	
<u>beg = begin(s)(ning)</u>	<u>ch(s) = chain(s)</u>
<u>ch-space = space previously made</u>	<u>dc = double crochet</u>
<u>hdc = half double crochet</u>	<u>rep = repeat(s)(ing)</u>
<u>rnd(s) = round(s)</u>	<u>RS = right side</u>
<u>sc = single crochet</u>	<u>sl st = slip stitch</u>
<u>sp(s) = space(s)</u>	<u>st(s) = stitch(es)</u>
<u>tog = together</u>	<u>WS = wrong side</u>

Learn to crochet instructions: [**http://learnToCrochet.LionBrand.com**](http://learnToCrochet.LionBrand.com)

Every effort has been made to have the knitting and crochet instructions accurate and complete. We cannot be responsible for variance of individual knitters and crocheters, human errors, or typographical mistakes.

We want your project to be a success! If you need help with this or any other Lion Brand pattern, e-mail support is available 7 days per week. Just click [here](#) to explain your problem and someone will help you!

For thousands of free patterns, visit our website www.LionBrand.com

To order visit our website www.lionbrand.com or call: (800) 258-YARN (9276) any time!

When in New York City, visit the Lion Brand Yarn Studio where we have the largest selection of our yarns anywhere and over 100 classes and events monthly.

34 West 15th Street, NY, NY 10011

Copyright ©1998-2015 Lion Brand Yarn Company, all rights reserved. No pattern or other material may be reproduced -- mechanically, electronically, or by any other means, including photocopying -- without written permission of Lion Brand Yarn Company.